

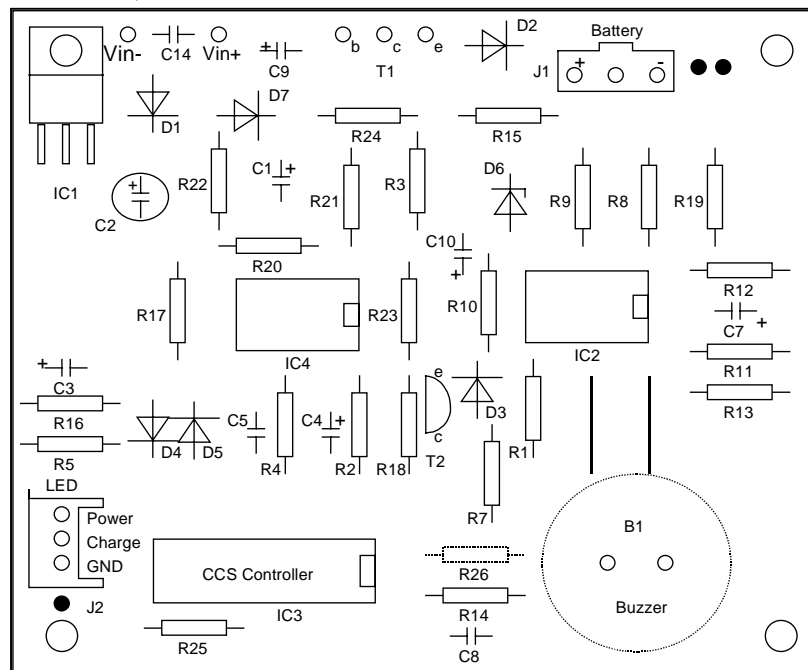


CCSEB EVALUATION BOARD

UNIVERSAL-CCS-Charger-Module for NiCd- and NiMH- Batteries

The CCSEB Evaluation Board can be assembled for any battery pack. For universal application (different battery packs) it is possible to change the battery-voltage (number of cells) and the charge current with selection switches.

Datasheets and descriptions how to adapt to a certain battery-pack and how to proceed are included. For a quickstart, parts for the most common applications are included as well (1 to 10 cells, charge current from 100mA to 2A)



Technical Data:

Power supply:	Rectified line, 100/120 Hz
Number of cells:	1-10 (or higher, variable)
Charge current:	100mA, 500mA, 1A, 2A (or other, variable)
Status indicator:	optical-2 LED, audible-Buzzer (4kHz, 70dB)
Print:	85x75mm, double layer, silk screen
1 Charge controller:	CCS9310B2 or CCS9505FK or CCS9606 or CCS9620

Not included: Power source (transformer and rectifier), selection switch
Please choose the preferred CCS charge controller at purchase!

Applications:

Alarmsystems, Cellular Phones, Computer, Electric Vehicles, HiFi, Home Appliances, Hobby, Instruments, Lamps, Medical Electronics, Pager, Portables, Radio, Solar Systems, Telephone, Tools, Video, UPS, etc.