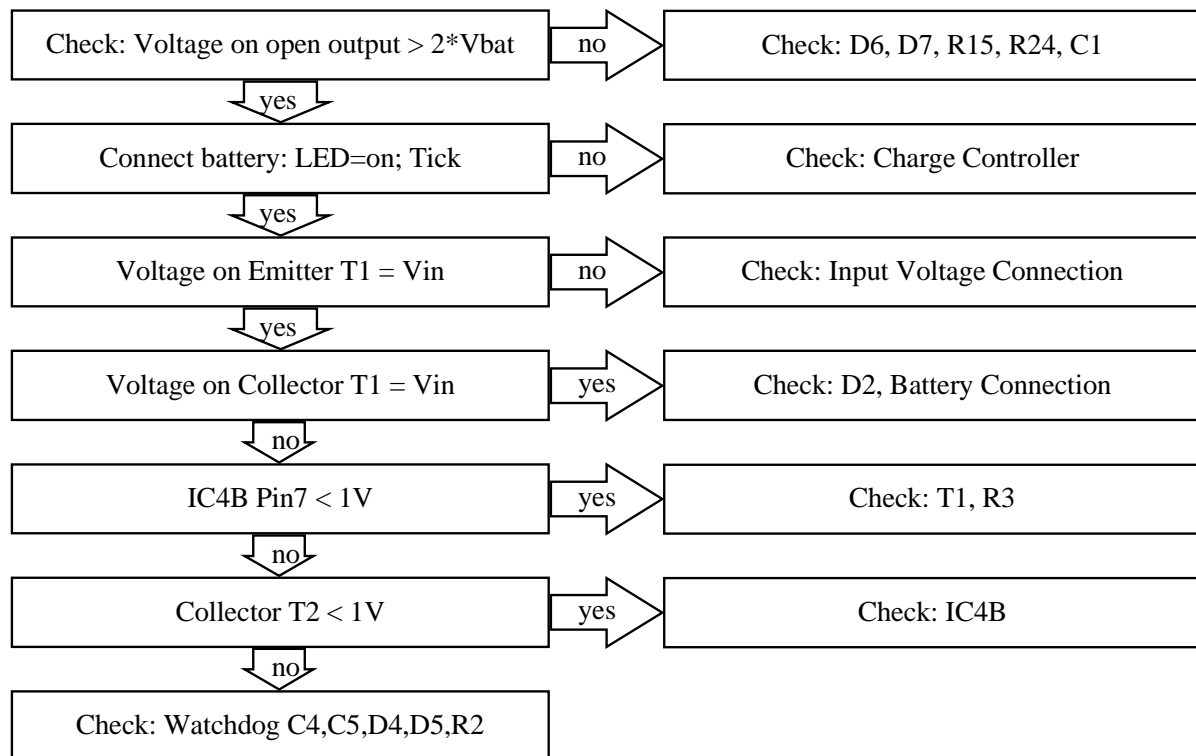


**CCS****CCSEB Evaluation Board Problem: No Charging Current**

**Comments:** Our aim is to help you best in the design of superior chargers with CCS-technology. This Application Note was carefully composed. However, according to the wide range of solutions not all aspects and possibilities can be covered by this publication. Furthermore errors cannot be completely excluded and we do not provide any responsibility for the given applications. Therefore we welcome your response comments and suggestions for further improving our CCS-Application Notes. **Thank you!**

Address: BTI, Rudolfstrasse 14, A-8010 Graz, Austria, Tel. +43/316/326031, Fax. +43/316/381808,  
e-mail: [info@bticcs.com](mailto:info@bticcs.com), <http://www.bticcs.com>