

# Final check for CCS Circuits

## 1) Check without battery

Connect the CCS circuit to the power supply.  
Check if Power LED (green LED) on, 1 beep.

CCS controller pin checks:

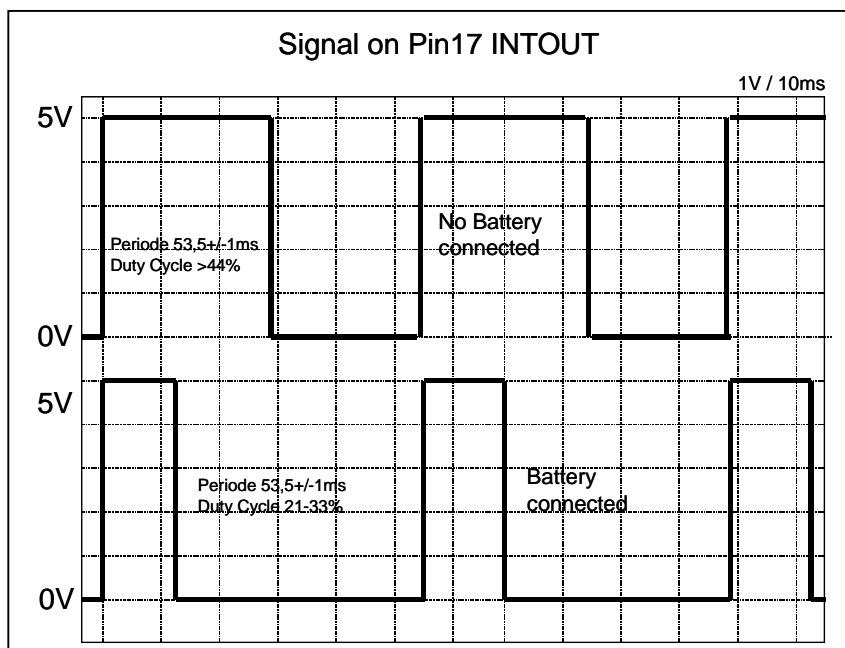
- Pin 14: 5V
- Pin 17: INTOUT see Fig.1
- Pin 13: OUT2 0V
- Pin 2: WATCH 0V

## 2) Check with battery

Connect the battery. Check if Charge LED (red LED) on, 2 beep  
Check if charge current is correct (for a short measurement an amperemeter is allowed)

CCS controller pin checks:

- Pin 17: INTOUT see Fig.1
- Pin 13: OUT2 5V
- Pin 2: WATCH square wave, pulsating with approx. 16kHz



**Figure 1**

**Comments:** Our aim is to help you best in the design of superior chargers with CCS-technology. This Application Note was carefully composed. However, according to the wide range of solutions not all aspects and possibilities can be covered by this publication. Furthermore errors cannot be completely excluded and we do not provide any responsibility for the given applications. Therefore we welcome your response comments and suggestions for further improving our CCS-Application Notes. **Thank you!**

Address: BTI, Rudolfstrasse 14, A-8010 Graz, Austria, Tel. +43/316/326031, Fax. +43/316/381808,  
e-mail: [info@bticcs.com](mailto:info@bticcs.com), <http://www.bticcs.com>